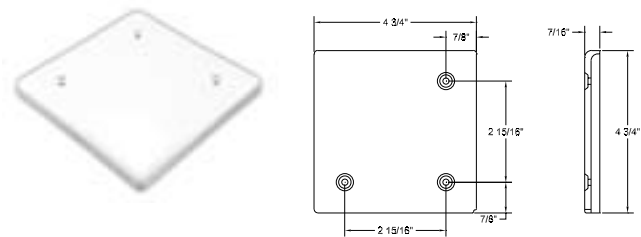
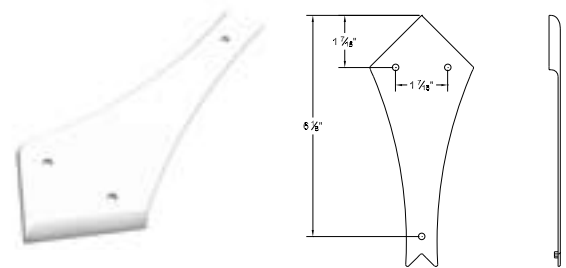


SLIDE-OUT EXTRUSION COVERS



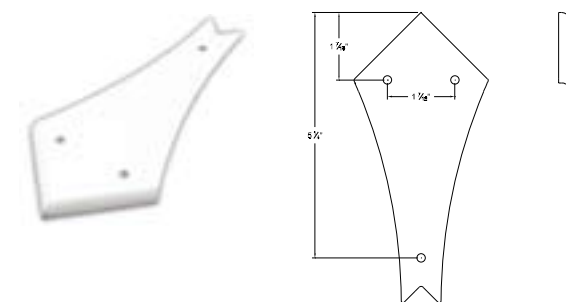
PART ID	PART DESCRIPTION
547	4 1/2" Square Slide-Out Extrusion Cover

Carton Quantities: 150 Carton Weight: 20 lbs. Color: Polar White



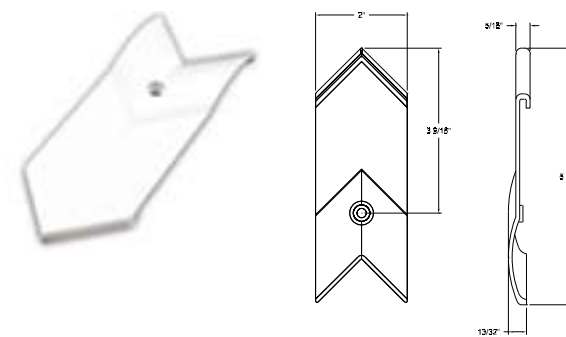
PART ID	PART DESCRIPTION
559 A	4 1/2" Curved Slide-Out Extrusion Cover

Carton Quantities: 150 Carton Weight: 20 lbs. Color: Polar White



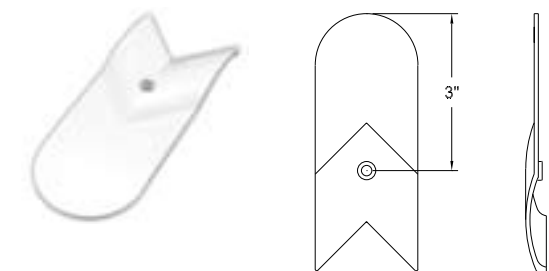
PART ID	PART DESCRIPTION
559 C	4" Curved Slide-Out Extrusion Cover

Carton Quantities: 150 Carton Weight: 20 lbs. Color: Polar White



PART ID	PART DESCRIPTION
540	3" Corner Slide-Out Extrusion Cover

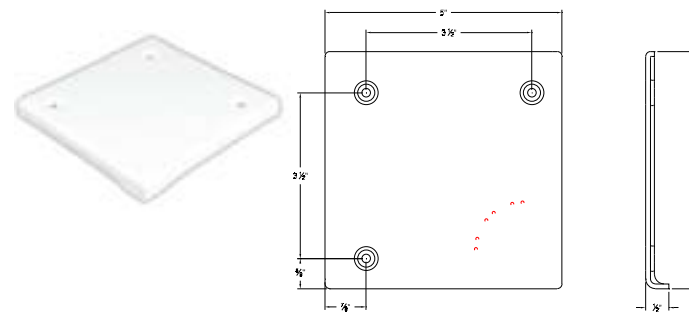
Carton Quantities: 150 Carton Weight: 20 lbs. Color: Polar White



PART ID	PART DESCRIPTION
559 B	3" Radius Corner Slide-Out Extrusion Cover

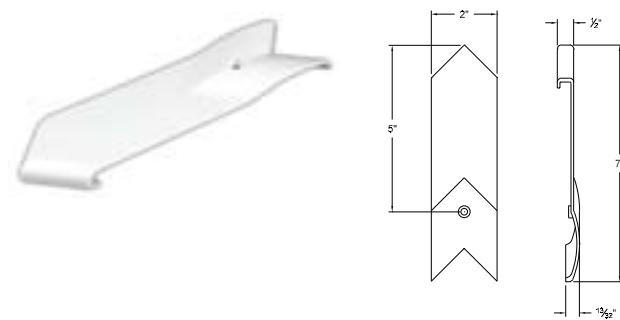
Carton Quantities: 150 Carton Weight: 20 lbs. Color: Polar White

SLIDE-OUT EXTRUSION COVERS



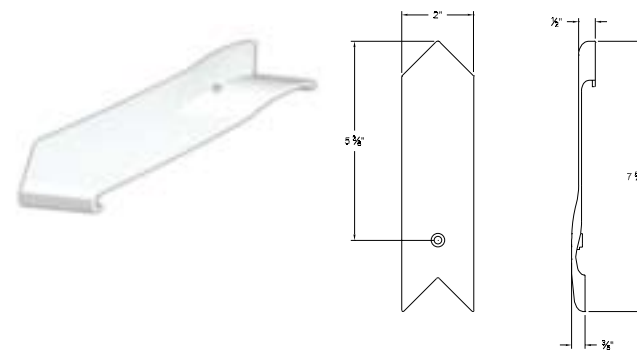
PART ID	PART DESCRIPTION
582 U	4 3/4" Extrusion Cover-Square

Carton Quantities: 200 Carton Weight: 19 lbs. Color: Polar White



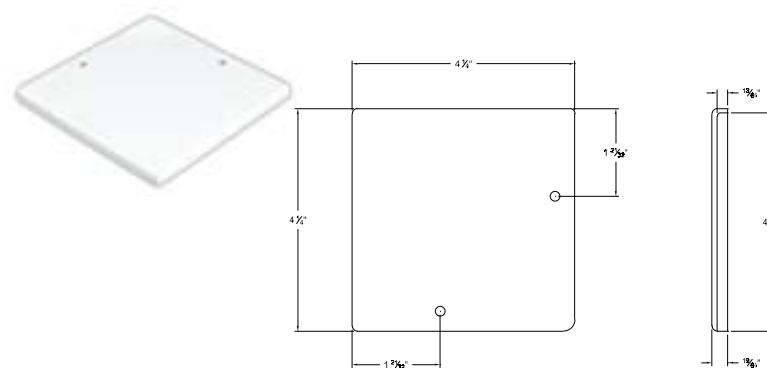
PART ID	PART DESCRIPTION
598	4" Extrusion Cover-Straight

Carton Quantities: 500 Carton Weight: 26 lbs. Color: Polar White



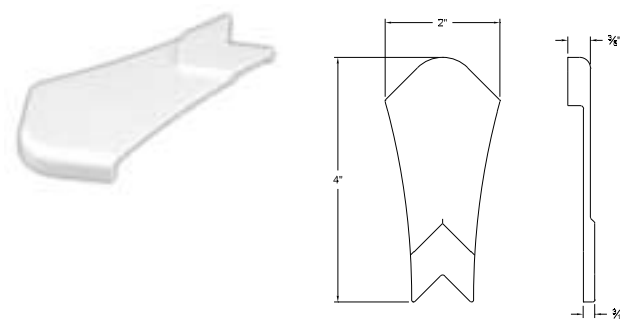
PART ID	PART DESCRIPTION
598 A	4 3/8" Extrusion Cover-Straight

Carton Quantities: 500 Carton Weight: 26 lbs. Color: Polar White



PART ID	PART DESCRIPTION
566 LU	4 1/8" Extrusion Cover-Square

Carton Quantities: 150 Carton Weight: 26 lbs. Color: Polar White



PART ID	PART DESCRIPTION
616 04 H PW	2 1/2" Extrusion Cover-Stepped with tape

Carton Quantities: 400 Carton Weight: 14 lbs. Color: Polar White

Double-sided high bond adhesive tape applied for "no screw" installation.



bandbmolders.com

