

# ACCESSORIES



## EXPERIENCE, INNOVATION AND FUNCTION

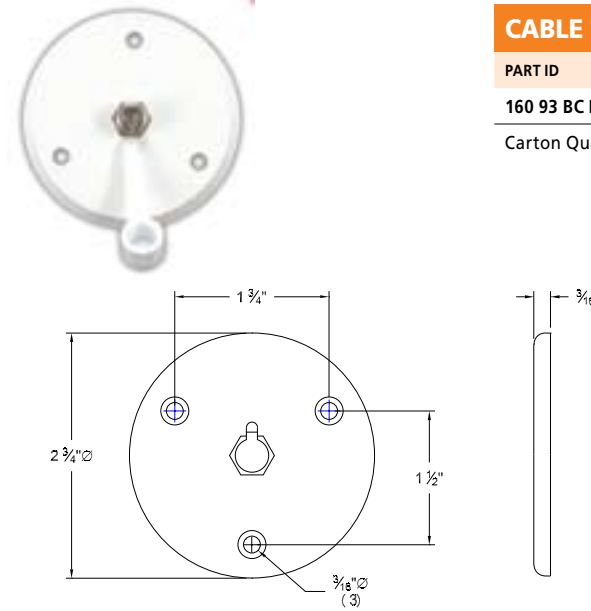
At B&B Molders we bring experience and innovation to every part we manufacture. Our products are built with high-quality resins that adhere to the following criteria.

- UV Resistant – lifetime
- Impact resistant
- Paintable
- Chemically resistant to road salts and acids
- NSF, CSA and TEI certified (where applicable)
- Dimensionally stable

### CABLE TV PLATE – SMALL COVER

PART ID	CUTOUT DIMENSION	OUTSIDE DIMENSION
160 93 BC PW	1" Dia.	2 3/4" Dia.

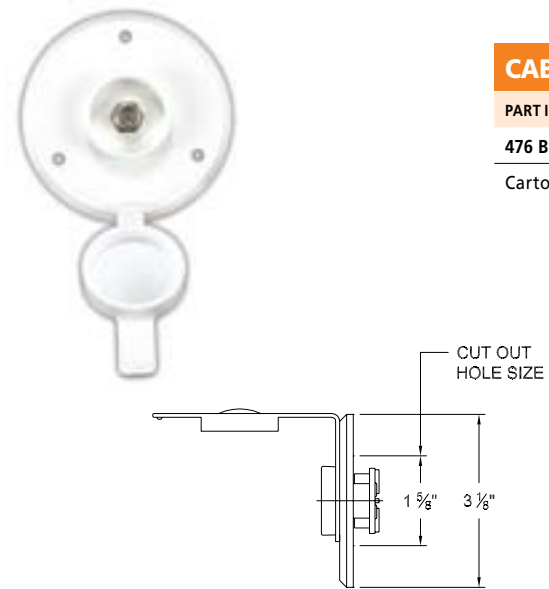
Carton Quantities: 100 Carton Weight: 4 lbs. Color: Misc.



### CABLE TV PLATE

PART ID	CUTOUT DIMENSION	OUTSIDE DIMENSION
476 B 2	1" Dia.	3 1/8" Dia.

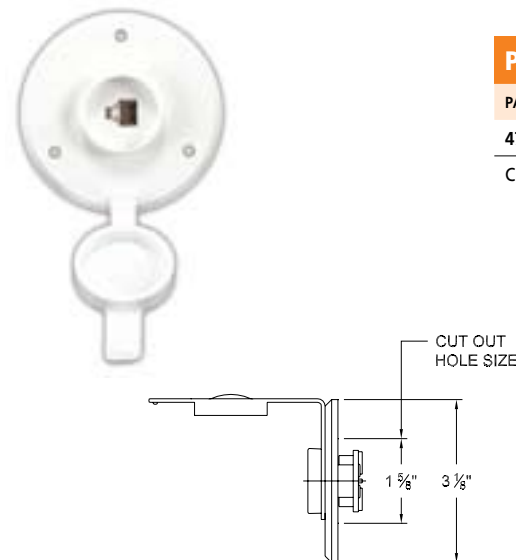
Carton Quantities: 100 Carton Weight: 5 lbs. Color: Polar White

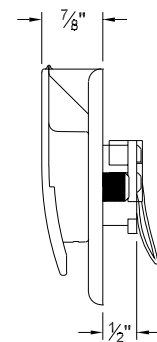


### PHONE JACK PLATE

PART ID	CUTOUT DIMENSION	OUTSIDE DIMENSION
476 A 2	1" Dia.	3 1/8" Dia.

Carton Quantities: 100 Carton Weight: 3 lbs. Color: Polar White

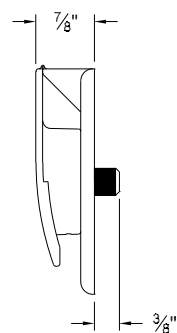




**PHONE/CABLE PLATE**

PART ID	CUTOUT DIMENSION	OUTSIDE DIMENSION
543 A 2	2 1/2" Dia.	3" H x 4" W

Carton Quantities: 100 Carton Weight: 25 lbs. Color: Polar White



**CABLE/CABLE PLATE**

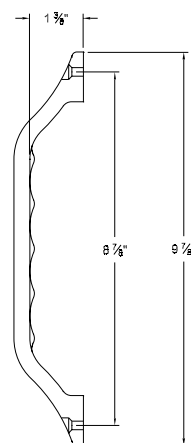
PART ID	CUTOUT DIMENSION	OUTSIDE DIMENSION
543 B 2	2 1/2" Dia.	3" H x 4" W

Carton Quantities: 100 Carton Weight: 25 lbs. Color: Polar White

**ENTRY DOOR GRAB HANDLE – WITH SCREW COVERS**

PART ID	COLOR
482 A 1C	Colonial White
482 A 2C	Polar White
482 A 3C	Black
482 A 4C	Gray

Carton Quantities: 96 Carton Weight: 11 lbs. Color: Variety



**SCREW HOLE COVERS**

PART ID	COLOR
581 PW	Polar White
581 CW	Colonial White
581 BK	Black
581 GRY	Gray

Carton Quantities: 200 Carton Weight: N/A Color: Variety



**RUBBER DUST PLUG FOR CITY WATER CHECK VALVE**

PART ID
422 PW

Carton Quantities: 200 Carton Weight: 4 lbs. Color: Polar White



**2" TUB DRAIN AND STOPPER**

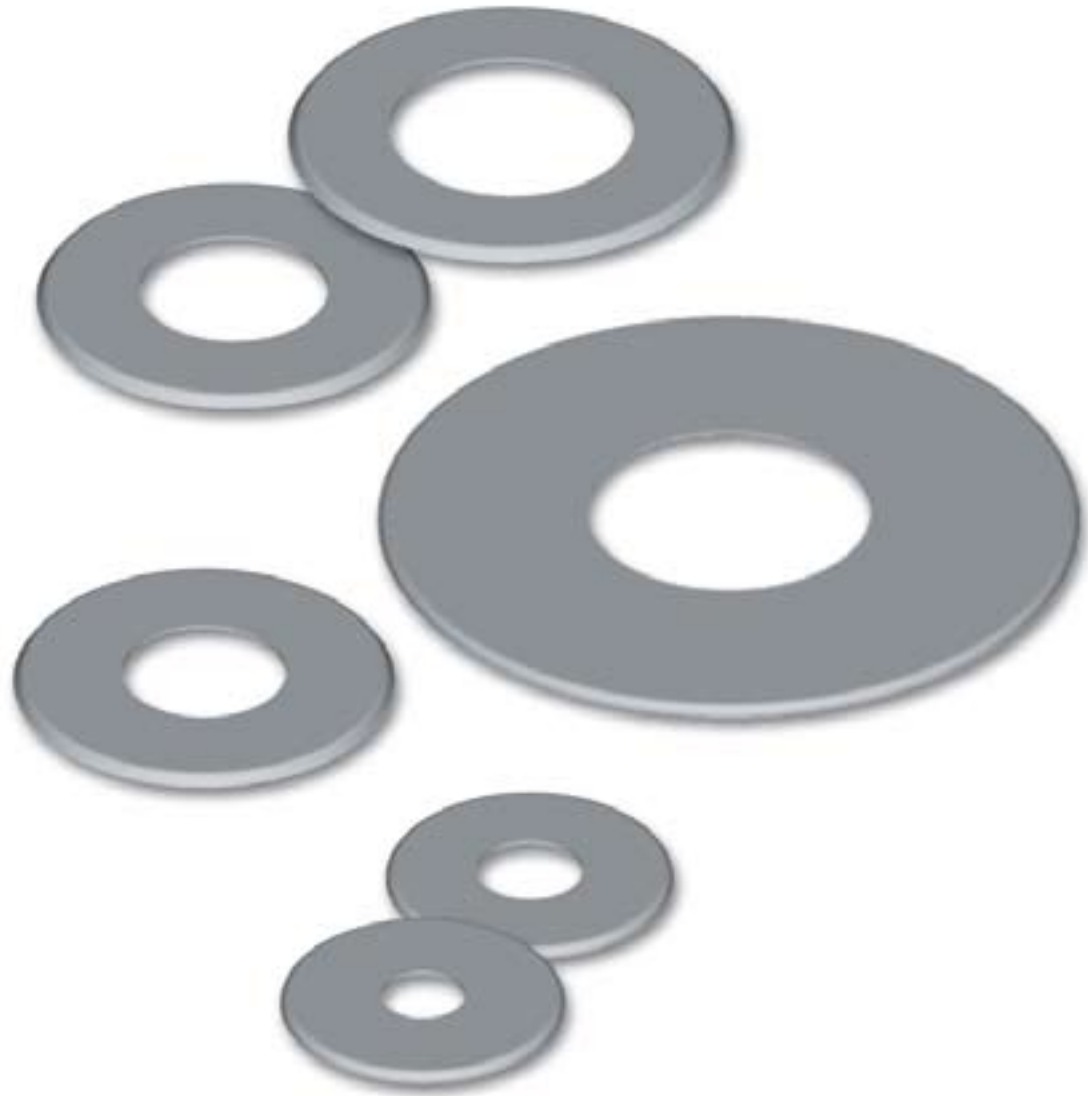
PART ID
184030

Carton Quantities: 100 Carton Weight: 10 lbs. Color: Polar White



GROMMETS

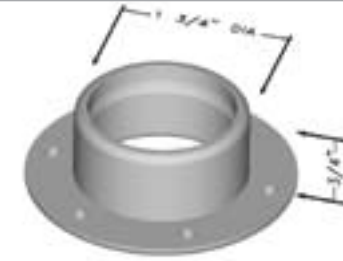
PART ID	PART DESCRIPTION	OUTSIDE DIMENSION	INSIDE DIMENSION	QUANTITY	WEIGHT
143	1/2" Pipe Grommet	2 3/4"	7/8"	600	15
143 A	1/2" Pipe Grommet	2 3/4"	5/8"	600	15
144 A	1 1/4" Pipe Grommet	3 7/8"	1 5/8"	500	20
144 B	1 1/2" Pipe Grommet	3 7/8"	1 7/8"	400	15
145	2" Pipe Grommet	4 1/4"	2 3/8"	400	18
146	3" Pipe Grommet	6 7/8"	3 1/2"	400	26
174	3/4" Pipe Grommet	2 3/4"	1"	700	14



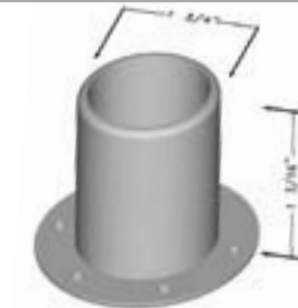
GROMMETS



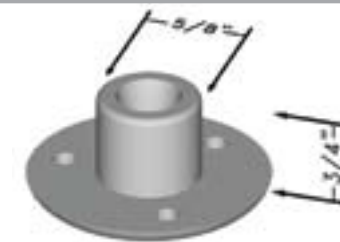
PART ID	PART DESCRIPTION	QUANTITY	WEIGHT
145 A	2" Pipe Grommet w/ 5/8" Dual Pipe Holes	300	25



PART ID	PART DESCRIPTION	QUANTITY	WEIGHT
269 A	1 3/8" Short Wire Harness Grommet	700	27



PART ID	PART DESCRIPTION	QUANTITY	WEIGHT
269	1 3/8" Long Wire Harness Grommet	350	25



PART ID	PART DESCRIPTION	QUANTITY	WEIGHT
128	3/8" Pipe Grommet	1000	45

FITTINGS



PART ID #	PART DESCRIPTION	QUANTITIES	CARTON WEIGHT
160 75 H	1 1/2" Projected Slip Fitting	450	22



PART ID #	PART DESCRIPTION	QUANTITIES	CARTON WEIGHT
221	1 1/2" Flush Slip Fitting	500	23



PART ID #	PART DESCRIPTION	QUANTITIES	CARTON WEIGHT
160 77 A	2" Projected Slip Fitting	350	24



PART ID #	PART DESCRIPTION	QUANTITIES	CARTON WEIGHT
217	2" Flush Slip Fitting	350	24

FITTINGS



PART ID #	PART DESCRIPTION	QUANTITIES	CARTON WEIGHT
216	3" Projected Slip Fitting	150	18



PART ID #	PART DESCRIPTION	QUANTITIES	CARTON WEIGHT
216 A	3" Projected Male Spigot	100	15



PART ID #	PART DESCRIPTION	QUANTITIES	CARTON WEIGHT
220 76 B	3" Projected Threaded Fitting	250	23



PART ID #	PART DESCRIPTION	QUANTITIES	CARTON WEIGHT
220 76 A	3" Projected Threaded Fitting	250	23





**BUMPER PLUGS**

PART ID #	PART DESCRIPTION	QUANTITIES	CARTON WEIGHT
208	4" Plug W/Tabs	240	31
329	4 1/4" Plug W/Tabs	160	27
358	4" Plug W/O Tabs	200	38



**RAIN GUTTER SPOUT**

PART ID #	PART DESCRIPTION	DESCRIPTION
653 PW	Rain Gutter Spout	Includes Right & Left
653 R PW	Rain Gutter Spout-Right	Right Only
653 L PW	Rain Gutter Spout-Left	Left Only

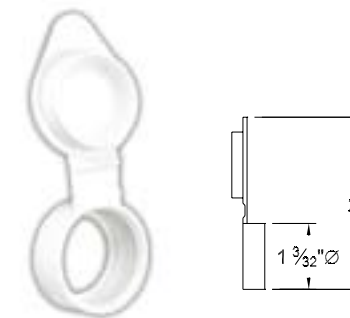
Carton Quantities: 250 Carton Weight: 5 lbs. Color: Polar White



**RAIN GUTTER SPOUT – LONG VERSION**

PART ID #	PART DESCRIPTION	DESCRIPTION
655 PW	Rain Gutter Spout-Long Version	Includes Right & Left
655 R PW	Rain Gutter Spout-Long Version-Right	Right Only
655 L PW	Rain Gutter Spout-Long Version-Left	Left Only

Carton Quantities: 250 Carton Weight: 6 lbs. Color: Polar White

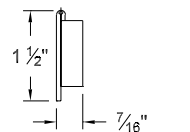


**KEY HOLE LOCK COVER**

PART ID	COLOR
324 PW	Polar White
324 BK	Black
324 PP	Polar White
324 PP	Black

Carton Quantities: 250 Carton Weight: 4 lbs.

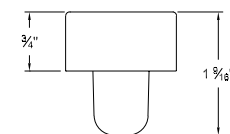
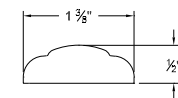
Watertight seal prevents water from entering lock assembly.



**EXTRUSION END CAP**

PART ID	COLOR
616 05 F PW	Polar White

Carton Quantities: 250 Carton Weight: 3 lbs.



PART ID	OTHER	COLOR
496 A 2	Full Cap	Polar White
496 B 2	Partial Cap	Polar White

Carton Quantities: 250 Carton Weight: 3 lbs.

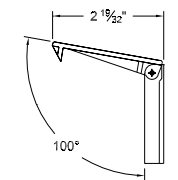
Sold in Sets. (Right and Left Hand)



**BAGGAGE DOOR HOLD OPEN CLIP**

PART ID	COLOR
449 PW	Polar White
449 GY	Gray

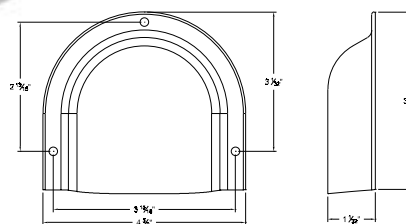
Carton Quantities: 100 Carton Weight: 4 lbs.



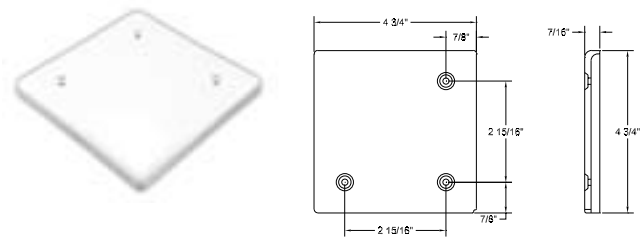
**HORSESHOE VENT**

PART ID	COLOR
298 06 A PW	Polar White

Carton Quantities: 50 Carton Weight: 10 lbs.

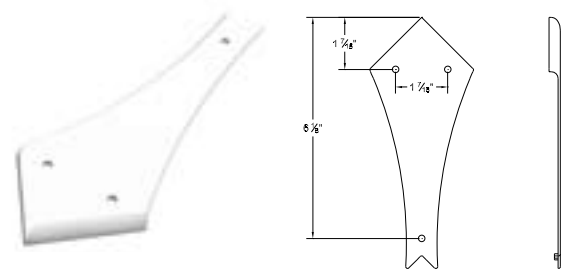


SLIDE-OUT EXTRUSION COVERS



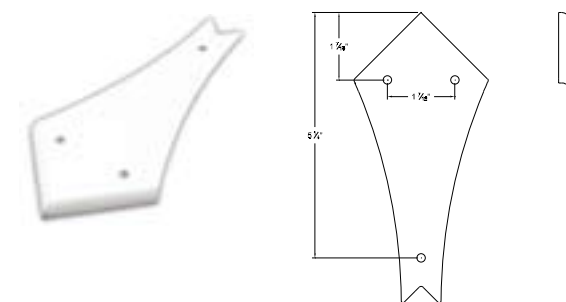
PART ID	PART DESCRIPTION
547	4 1/2" Square Slide-Out Extrusion Cover

Carton Quantities: 150 Carton Weight: 20 lbs. Color: Polar White



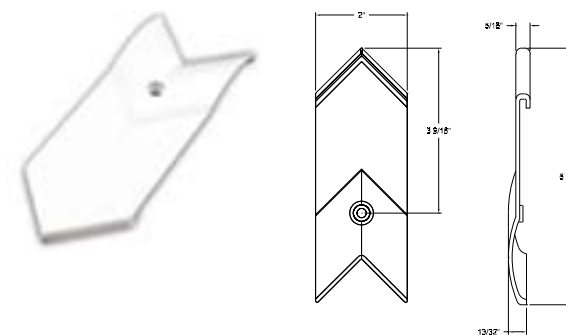
PART ID	PART DESCRIPTION
559 A	4 1/2" Curved Slide-Out Extrusion Cover

Carton Quantities: 150 Carton Weight: 20 lbs. Color: Polar White



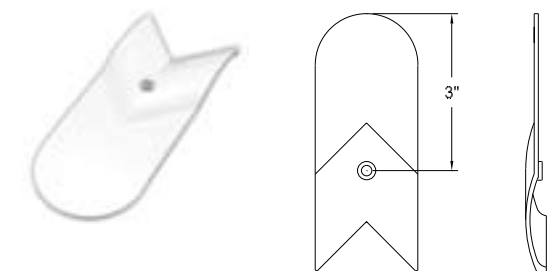
PART ID	PART DESCRIPTION
559 C	4" Curved Slide-Out Extrusion Cover

Carton Quantities: 150 Carton Weight: 20 lbs. Color: Polar White



PART ID	PART DESCRIPTION
540	3" Corner Slide-Out Extrusion Cover

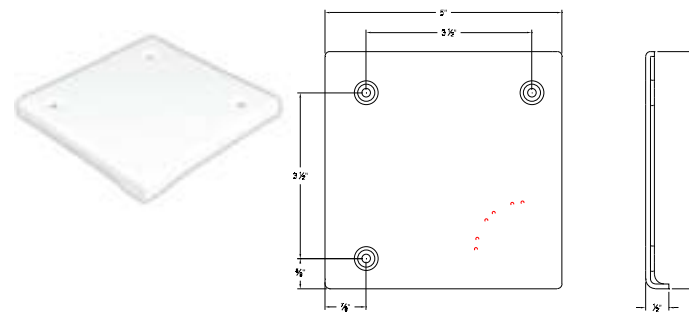
Carton Quantities: 150 Carton Weight: 20 lbs. Color: Polar White



PART ID	PART DESCRIPTION
559 B	3" Radius Corner Slide-Out Extrusion Cover

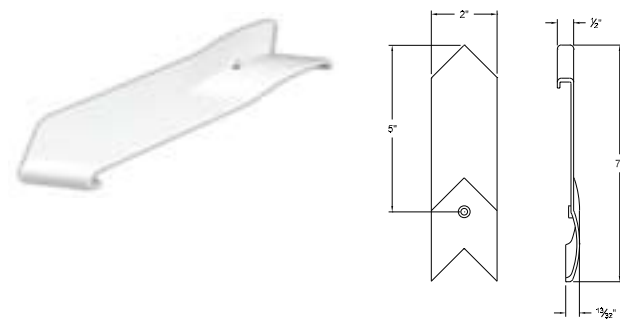
Carton Quantities: 150 Carton Weight: 20 lbs. Color: Polar White

SLIDE-OUT EXTRUSION COVERS



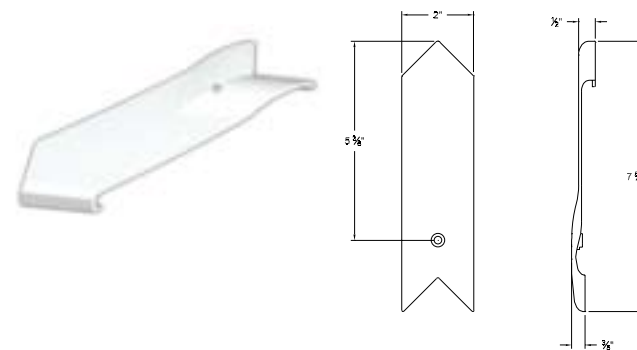
PART ID	PART DESCRIPTION
582 U	4 3/4" Extrusion Cover-Square

Carton Quantities: 200 Carton Weight: 19 lbs. Color: Polar White



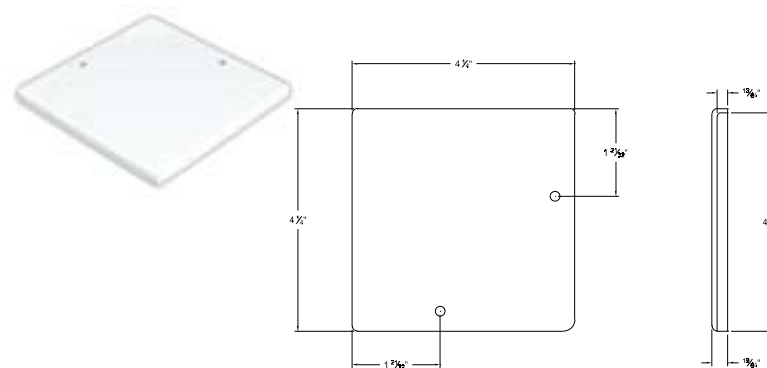
PART ID	PART DESCRIPTION
598	4" Extrusion Cover-Straight

Carton Quantities: 500 Carton Weight: 26 lbs. Color: Polar White



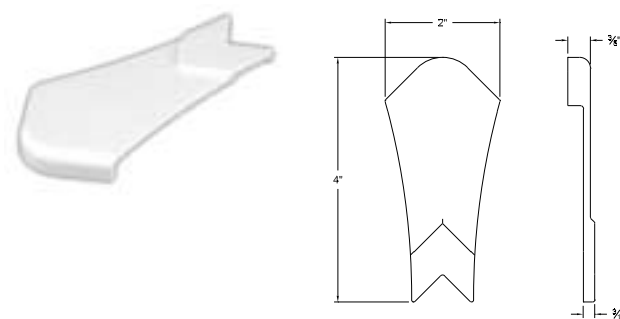
PART ID	PART DESCRIPTION
598 A	4 3/8" Extrusion Cover-Straight

Carton Quantities: 500 Carton Weight: 26 lbs. Color: Polar White



PART ID	PART DESCRIPTION
566 LU	4 1/8" Extrusion Cover-Square

Carton Quantities: 150 Carton Weight: 26 lbs. Color: Polar White



PART ID	PART DESCRIPTION
616 04 H PW	2 1/2" Extrusion Cover-Stepped with tape

Carton Quantities: 400 Carton Weight: 14 lbs. Color: Polar White

Double-sided high bond adhesive tape applied for "no screw" installation.



bandbmolders.com



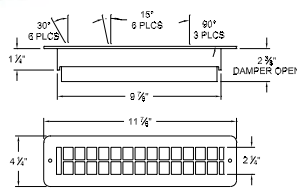




**UNDAMPED REGISTER**

PART ID	CUTOUT DIMENSION		OUTSIDE DIMENSION		COLOR
288 86 A CR	2 3/8"	10"	4 1/4"	11 7/8"	Carmel
288 86 A PW	2 3/8"	10"	4 1/4"	11 7/8"	Polar White
288 86 A TN	2 3/8"	10"	4 1/4"	11 7/8"	Tan
288 86 A BRED	2 3/8"	10"	4 1/4"	11 7/8"	Brown

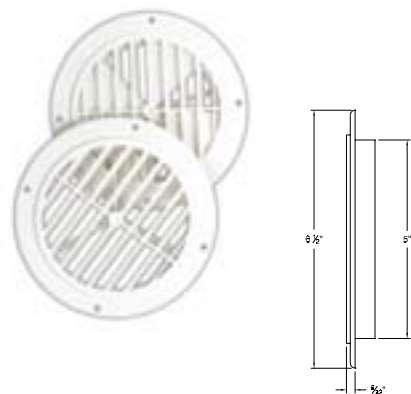
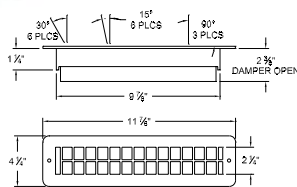
Carton Quantities: 80 Carton Weight: 27 lbs.



**DAMPED REGISTER**

PART ID	CUTOUT DIMENSION		OUTSIDE DIMENSION		COLOR
288 86 AB CR	2 3/8"	10"	4 1/4"	11 7/8"	Carmel
288 86 AB PW	2 3/8"	10"	4 1/4"	11 7/8"	Polar White
288 86 AB TN	2 3/8"	10"	4 1/4"	11 7/8"	Tan
288 86 AB BRED	2 3/8"	10"	4 1/4"	11 7/8"	Brown

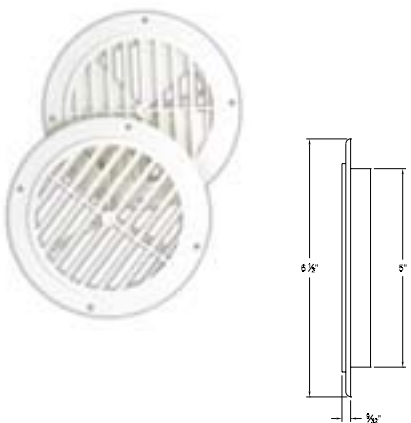
Carton Quantities: 45 Carton Weight: 20 lbs.



**UNDAMPED CEILING GRILL**

PART ID	CUTOUT DIMENSION	COLOR
Grill 1	5 1/4" Dia.	Colonial White
Grill 2	5 1/4" Dia.	Polar White

Carton Quantities: 100 Carton Weight: 18 lbs.



**DAMPED CEILING GRILL**

PART ID	CUTOUT DIMENSION	COLOR
Grill 1D	5 1/4" Dia.	Colonial White
Grill 2D	5 1/4" Dia.	Polar White

Carton Quantities: 100 Carton Weight: 18 lbs.



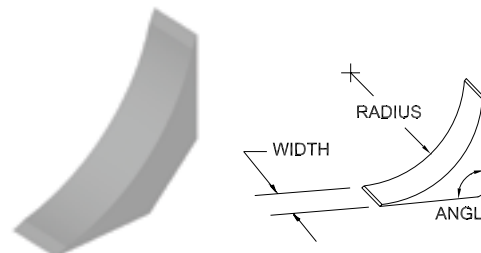
**HIDE-A-HANGER**

PART ID	CARTON QUANTITY	CARTON WEIGHT	COLOR
Hanger 12 BTWT	50	30	Polar White
Hanger 12 BK	50	30	Black
Hanger 16 BTWT	50	33	Polar White
Hanger 16 BK	50	33	Black
Hanger 24 BTWT	42	40	Polar White
Hanger 24 BK	42	40	Black



**CORNER BLOCKS**

PART ID	RADIUS	WIDTH	ANGLE	CARTON QUANTITY	CARTON WEIGHT
121-A	2 7/16"	1 3/8"	75	500	15
121-B	2 7/16"	1 3/8"	105	1000	20
122	2 1/2"	1 3/8"	90	1000	25
318	3 1/4"	1 3/8"	90	500	24
318-88-A	2 5/8"	1 1/2"	90	500	20
318-97-A	3 1/2"	1"	90	500	20
318-98-A	2 5/8"	1"	90	500	20
652 A 1.5	3 1/8"	1 1/2"	90	500	18
652 B 1.0	3 3/16"	1"	90	500	15
652 C 1.375	4"	1 3/8"	90	450	24
652 D 1.5	4 5/8"	1 1/2"	90	450	24



**STA-PUT BRACKET**

PART ID	CARTON QUANTITY	CARTON WEIGHT	COLOR
618 BK	100	16	Black

No more hitch plugs on the ground.

Holds a 7-pin trailer plug.



Product shown in use.



bandbmolders.com





### HOLE PLUG

PART ID	COLOR
283 03 A PW	Polar White

Asthetically plug any 1 1/4" diameter hole.



### SLIDING DOOR GUIDE

PART ID	CARTON QUANTITY	CARTON WEIGHT	COLOR
632 TN	250	5	Tan/Oak
632 PW	250	5	White

Easily installs at bottom of sliding doors to prevent doors from coming out of track.



### FUEL GAUGE BEZEL

PART ID	CARTON QUANTITY	CARTON WEIGHT	COLOR
644 PW	48	4	Polar White

Items sold separately.



### FUEL GAUGE – 240-33 OHM

PART ID	CARTON QUANTITY	CARTON WEIGHT	COLOR
FUEL GAUGE	240	8	Black

Items sold separately.

Stewart Warner Sender.

Perimeter Lit.



### ADJUSTABLE SHELF BRACKET

PART ID	CARTON QUANTITY	CARTON WEIGHT	COLOR
599 PW	200	12	Polar White
599 TN	200	12	Natural Maple
599 BG	200	12	Standard Oak

Metal support pegs not sold by B&B Molders.

## CONDITIONS OF SALE

### TERMS OF SALE

- Terms of sales are Net 30 days upon arrival of credit application. Otherwise all orders will be shipped C.O.D.

### MINIMUM BILLING

- Minimum billing on any invoice is \$25.00. Any order less than \$25.00 will be adjusted to the minimum balance of \$25.00.

### CARTON BREAKING FEE

- A \$15.00 carton breaking charge will be added to each item ordered in less than carton quantities.

### FREIGHT TERMS

- Order values in excess of \$400 will be shipped freight prepaid. All other freight will be shipped F.O.P. Mishawaka, IN.

### RETURNED GOODS

- No items are to be returned without a return goods authorization (R.G.A.) number issued by B&B Molders.
- Any items sent without an R.G.A. number will be returned at the customer's expense.
- The R.G.A. number must be clearly marked on the box.
- There will be a 20% restocking charge on returned goods. Items must be in good, clean condition, ready for resale.
- R.G.A. numbers will not be issued for obsolete items.

### WARRANTY

- All items are warranted for one year for the date of purchase.
- All warranty claim returns must be accompanied by an R.G.A. number.
- Parts must be returned with all warranty claims for inspection.
- B&B Molders will inspect returned parts in question and the applied claim. B&B Molders will be the sole judge in determining the validity of all claims and reserves the right to allow, deny or adjust any claim.
- B&B Molders assumes no liability beyond replacement part and reasonable allowance for installation.
- B&B Molders cannot be responsible for any customer modifications to B&B parts such as painting, graphics, etc.



bandbmolders.com

